

Promptly sign and date on the line below, then **EMAIL IT BACK TO KDOT, EVEN IF NOT BIDDING.** **Or you may still FAX IT TO the Estimating Section at (785) 296-0999.** Any instructions not followed will result in your bid being declared irregular. If these changes affect any of your subcontractors or suppliers, **IT IS YOUR RESPONSIBILITY** to inform them. These changes are part of the contract for this project(s). Please contact me at (785) 296-3576, if there are questions. Thank you for your cooperation.

Kansas Department of Transportation
Bureau of Construction and Maintenance
Estimating Section

To: Prime Contractor Bid Holders

From: Shane Houser, P.E. - Estimating Engineer

Date: January 15, 2016

Proposal/Contract No.: 516012696

Subject: Project Notice for the **January 20, 2016 Letting**

54-88 KA-2385-02 SEWARD COUNTY – GRADING & SURFACING

The Paving Detail sheets, 45 for example, **incorrectly** show the US54 shoulders to have dowelled contraction joints.

The last General Note on sheet 74 (SINGLE WIRE CABLE FENCE) is incorrect. The posts are subsidiary to the bid item FENCE (SINGLE WIRE CABLE).

Special provision **15-01018 CONTROL OF MATERIALS** has been added.

The quantity for item **96 AGGREGATE FOR SUBGRADE MOD (SR-4)** has changed.
This revised the Unit Prices List.

To view this project's documents, choose "**Addendum #1**" from KDOT's website: <http://ksdot1.ksdot.org/burconsmain/contracts/proposal.asp#>. You must update your EBS file by going to the Bid Express website: <http://www.bidx.com>, choose the correct Letting, locate and select the Proposal number to download "**20jan269.001**".

The Contractor is responsible for ensuring the EBS file that the Contractor uses to prepare its Proposal and submits to KDOT contains any amendments.

We also recommend that you check the Bid Express "Questions and Answers" (<https://www.bidx.com/ks/lettings>) to review any questions that may have been posted for this project.

(Company Name)

(Signature)

(Date)

C: District 6 & Liberal Office

KANSAS DEPARTMENT OF TRANSPORTATION
SPECIAL PROVISION LIST

PAGE: 1
DATE: 01/13/16

STATE PROJECT NO: U054-088 KA 2385-02

STATE CONTRACT NO 516012696

PREPARED DATE:

WAGE AREA: 1

REVISED DATE:

PRIMARY DISTRICT: 6

PRIMARY COUNTY: SEWARD

DESCRIPTION: GRADING AND SURFACING. US54: FR 0.5 M SW OF US54/CO RD O NE TO 0.11 M SW OF US54/R PARK RD IN SEWARD CO. NET LENGTH 3.314 M.

NOTE: THE FOLLOWING LIST OF SPECIAL PROVISIONS ARE FOR THIS PROJECT. OMISSION OF ALL OR PART OF A SPECIAL PROVISION IN THE ATTACHED PROPOSAL (CONTRACT) DOES NOT RELIEVE THE CONTRACTOR OF THE RESPONSIBILITY FOR OBTAINING THE COMPLETE PROVISION AS LISTED.

PROVISION NO. DESCRIPTION

08-10-66-R05	REQUIRED CONTRACT PROVISION-NONCOLLUSION / HISTORY-DEBARMENT
04-30-82-R07	REQUIRED CONTRACT PROVISION-FINANCIAL PREQUALIFICATION
08-04-92-R03	REQUIRED CONTRACT PROVISION-CONTRACTUAL SERVICES-LEGISLATOR
04-26-90-R05	REQUIRED CONTRACT PROVISION-LIMITS OF FED FUNDS FOR LOBBYING
10-10-00-R07	REQUIRED CONTRACT PROVISION-PRICE ADJUSTMENT FOR FUEL
06-01-06-R01	REQUIRED CONTRACT PROVISION-PRICE ADJUSTMENT FOR ASPHALT
07-19-80-R13	REQUIRED CONTRACT PROVISION-DBE CONTRACT GOAL
11-03-80-R09	REQUIRED CONTRACT PROVISION-NOTICE FOR AFFIRMATIVE ACTION
11-15-96-R05	REQUIRED CONTRACT PROVISION-EEO REQUIREMENT
09-06-94-R01	NOTICE TO CONTRACTORS (USDOT HOTLINE)
01-01-11-R01	REQUIRED CONTRACT PROVISION-TAX CLEARANCE CERTIFICATE
KS160019	MINIMUM WAGE RATE (AREA 1)
FHWA-1273	REQUIRED CONTRACT PROVISION-FEDERAL-AID CONSTRUCTION CONTRACTS
03-10-06-R01	REQUIRED CONTRACT PROVISION-DBE SUPPLIERS/REGULAR DEALERS
07-18-80-R27	REQUIRED CONTRACT PROVISION-UTILIZATION OF DBE'S
15-ER-1-R03	ERRATA SHEET FOR STD SPEC BOOK FOR RD & BR CONST, 2015 ED
15-01002	INFORMATION TO CONTRACTORS (STATUS OF UTILITIES)
15-01008	FUEL ADJUSTMENT
15-01009	ASPHALT ADJUSTMENT
15-01011-R01	MIGRATORY BIRDS, BORROW-WASTE SITES AND STAGING AREAS
15-01016	PROSECUTION AND PROGRESS
15-01018	CONTROL OF MATERIALS
15-02001	REMOVAL OF EXISTING STRUCTURES
15-09002	STORMWATER POLLUTION MANAGEMENT
15-11001-R01	STONE FOR RIPRAP, DITCH LINING AND OTHER MISCELLANEOUS USES
15-11002	AGGREGATE FOR HMA
15-11003	AGGREGATES FOR CONCRETE NOT PLACED ON GRADE
15-11004	AGGREGATE FOR ON GRADE
15-11005	AGGREGATES FOR SUBGRADE MODIFICATION OR RECONSTRUCTION
15-11006	AGGREGATES FOR SURFACING OR RESURFACING
15-12001	GENERAL REQUIREMENT DIVISION 1200
15-21001	SEEDS
15-22001	THERMOPLASTIC
15-22003	MULTI - COMPONENT LIQUID PAVEMENT MARKING MATERIAL
15-22004	PAVEMENT MARKING PAINT

KANSAS DEPARTMENT OF TRANSPORTATION
SPECIAL PROVISION LIST

PAGE: 2
DATE: 01/13/16

STATE PROJECT NO: U054-088 KA 2385-02

STATE CONTRACT NO 516012696

PREPARED DATE:

WAGE AREA: 1

REVISED DATE:

PRIMARY DISTRICT: 6

PRIMARY COUNTY: SEWARD

DESCRIPTION: GRADING AND SURFACING. US54: FR 0.5 M SW OF US54/CO RD O NE TO 0.11 M SW OF US54/R PARK RD IN SEWARD CO. NET LENGTH 3.314 M.

NOTE: THE FOLLOWING LIST OF SPECIAL PROVISIONS ARE FOR THIS PROJECT. OMISSION OF ALL OR PART OF A SPECIAL PROVISION IN THE ATTACHED PROPOSAL (CONTRACT) DOES NOT RELIEVE THE CONTRACTOR OF THE RESPONSIBILITY FOR OBTAINING THE COMPLETE PROVISION AS LISTED.

PROVISION NO. DESCRIPTION

15-22005	IMAGE SYSTEMS
15-25001	PART V
15-25002	CONSTRUCTION MANUAL - PART V
15-PS0008	FEDERAL AID CONTRACTS UTILIZATION OF DISADVANTAGED BUSINESSES
15-PS0054	HMA CONSTRUCTION-ASPHALT TREATED BASE-ALTERNATE
15-PS0060	RIGHT OF WAY CLEARANCE
15-PS0360	TEMPORARY EROSION AND POLLUTION CONTROL
15-PS0403	GEOSYNTHETIC REINFORCED SOIL EMBANKMENT
15-WS0023	WORK SCHEDULE
15-RF0013	RAILROAD FLAGGING REQUIREMENTS

END OF SPECIAL PROVISION LIST

KANSAS DEPARTMENT OF TRANSPORTATION
UNIT PRICES LIST

STATE CONTRACT NO: 516012696
STATE PROJECT NO: U054 -088 KA 2385-02

PREPARED DATE: 01-15-16
REVISED DATE:

SECTION 01 COMMON ITEMS

LINE/ ITEM NUMBER	ITEM DESCRIPTION	UNITS/ ESTIMATED QUANTITY	UNIT BID		AMOUNT BID	
			-IN NUMBERS- DOLLARS	CTS	-IN NUMBERS- DOLLARS	CTS
1 020100	CONTRACTOR CONSTRUCTION STAKING	LSUM 1.00				
2 025600	FIELD OFFICE AND LABORATORY (TYPE A)	EACH 1.00				
3 025323	MOBILIZATION	LSUM 1.00				
4 070626	MOBILIZATION (DBE)	LSUM 1.00				
5 025200	REMOVAL OF EXISTING STRUCTURES	LSUM 1.00				
6 020001	MAINTENANCE AND RESTORATION OF HAUL ROADS (SET PRICE)	LSUM 1.00	16000.000		\$16,000.00	
7 071554	CONCRETE FOR SEAL COURSE (SET PRICE)	CUYD 1.00	175.000		\$175.00	
8 012340	FOUNDATION STABILIZATION (SET PRICE)	CUYD 1.00	60.000		\$60.00	
9 055660	TRAINEES HIGHWAY CONSTRUCTION (SET PRICE)	HOURLY 3,680.00	2.000		\$7,360.00	
10 070580	FLAGGER (SET PRICE)	HOURLY 1.00	25.000		\$25.00	

-

Check: 00000000

CONTRACTOR

KANSAS DEPARTMENT OF TRANSPORTATION
UNIT PRICES LIST

STATE CONTRACT NO: 516012696
STATE PROJECT NO: U054 -088 KA 2385-02

PREPARED DATE: 01-15-16
REVISED DATE:

SECTION 02 ROAD ITEMS

LINE/ ITEM NUMBER	ITEM DESCRIPTION	UNITS/ ESTIMATED QUANTITY	UNIT BID -IN NUMBERS- DOLLARS CTS	AMOUNT BID -IN NUMBERS- DOLLARS CTS
11 060359	CLEANING EXISTING STRUCTURE	LSUM 1.00		
12 025361	CLEARING AND GRUBBING	LSUM 1.00		
13 012411	COMMON EXCAVATION (RURAL LARGE)	CUYD 427,514.00		
14 012415	COMMON EXCAVATION (CONTRACTOR FURNISHED)	CUYD 175,613.00		
15 012448	ERADICATION OF TRAVELED WAY	STA. 135.00		
16 012420	ROCK EXCAVATION	CUYD 13,471.00		
17 030189	SALVAGED TOPSOIL	SQYD 811,744.00		
18 012318	COMPACTION OF EARTHWORK (TYPE AA) (MR-0-5)	CUYD 102,191.00		
19 012317	COMPACTION OF EARTHWORK (TYPE A) (MR-5-5)	CUYD 413,503.00		
20 010114	WATER (GRADING) (SET PRICE)	MGAL 1.00	35.000	\$35.00

-

Check: 00000000

CONTRACTOR

KANSAS DEPARTMENT OF TRANSPORTATION
UNIT PRICES LIST

STATE CONTRACT NO: 516012696
STATE PROJECT NO: U054 -088 KA 2385-02

PREPARED DATE: 01-15-16
REVISED DATE:

SECTION 02 ROAD ITEMS

LINE/ ITEM NUMBER	ITEM DESCRIPTION	UNITS/ ESTIMATED QUANTITY	UNIT BID -IN NUMBERS- DOLLARS CTS	AMOUNT BID -IN NUMBERS- DOLLARS CTS
21 050701	CROSS ROAD PIPE (24") (RCP)	LNFT 2,666.00		
22 051201	CROSS ROAD PIPE (42") (RCP)	LNFT 300.00		
23 053401	CROSS ROAD PIPE (8.5 SQ.FT.) (RCPHE)	LNFT 552.00		
24 050700	CROSS ROAD PIPE (24")	LNFT 80.00		
25 050900	CROSS ROAD PIPE (30")	LNFT 94.00		
26 051200	CROSS ROAD PIPE (42")	LNFT 116.00		
27 052600	CROSS ROAD PIPE (1.5 SQ.FT.)	LNFT 278.00		
28 053200	CROSS ROAD PIPE (6.0 SQ.FT.)	LNFT 124.00		
29 054601	END SECTION (24") (RC)	EACH 23.00		
30 054726	END SECTION (42") (RC)	EACH 2.00		

-

Check: 00000000

CONTRACTOR

KANSAS DEPARTMENT OF TRANSPORTATION
UNIT PRICES LIST

STATE CONTRACT NO: 516012696
STATE PROJECT NO: U054 -088 KA 2385-02

PREPARED DATE: 01-15-16
REVISED DATE:

SECTION 02 ROAD ITEMS

LINE/ ITEM NUMBER	ITEM DESCRIPTION	UNITS/ ESTIMATED QUANTITY	UNIT BID -IN NUMBERS- DOLLARS CTS	AMOUNT BID -IN NUMBERS- DOLLARS CTS
31 055226	END SECTION (8.5 SQ.FT.) (RCHE)	EACH 4.00		
32 054600	END SECTION (24")	EACH 6.00		
33 054650	END SECTION (30")	EACH 2.00		
34 054725	END SECTION (42")	EACH 4.00		
35 055025	END SECTION (1.5 SQ.FT.)	EACH 8.00		
36 055175	END SECTION (6.0 SQ.FT.)	EACH 4.00		
37 050775	ENTRANCE PIPE (24")	LNFT 100.00		
38 052675	ENTRANCE PIPE (1.5 SQ.FT.)	LNFT 84.00		
39 012849	INLET (TYPE I DITCH)	EACH 14.00		
40 012850	INLET (TYPE II DITCH)	EACH 6.00		

-

Check: 00000000

CONTRACTOR

KANSAS DEPARTMENT OF TRANSPORTATION
UNIT PRICES LIST

STATE CONTRACT NO: 516012696
STATE PROJECT NO: U054 -088 KA 2385-02

PREPARED DATE: 01-15-16
REVISED DATE:

SECTION 02 ROAD ITEMS

LINE/ ITEM NUMBER	ITEM DESCRIPTION	UNITS/ ESTIMATED QUANTITY	UNIT BID -IN NUMBERS- DOLLARS CTS	AMOUNT BID -IN NUMBERS- DOLLARS CTS
41 080418	AGGREGATE DITCH LINING (4")	TON 1,146.00		
42 080321	AGGREGATE DITCH LINING (6")	TON 187.00		
43 011590	TEMPORARY SURFACING MATERIAL (AGGREGATE) (SET PRICE)	CUYD 1.00	35.000	\$35.00
44 080206	TEMPORARY SURFACING MATERIAL (HMA) (SET PRICE)	TON 1.00	125.000	\$125.00
45 030700	MOWING	PMPS 7.00		
46 012776	PLUGGING (WATER) WELLS	EACH 2.00		
47 072144	RIGHT-OF-WAY SURVEY MONUMENT	EACH 65.00		
48 026075	BARRICADE (TYPE III) (FIXED)	EACH 1.00		

SECTION 03 TEMP PRJ WTR POL CTL

49 072223	TEMPORARY FERTILIZER (16-20- 0)	LBS. 31,020.00		
--------------	---------------------------------	-------------------	--	--

-

Check: 00000000

CONTRACTOR

KANSAS DEPARTMENT OF TRANSPORTATION
UNIT PRICES LIST

STATE CONTRACT NO: 516012696
STATE PROJECT NO: U054 -088 KA 2385-02

PREPARED DATE: 01-15-16
REVISED DATE:

SECTION 03 TEMP PRJ WTR POL CTL

LINE/ ITEM NUMBER	ITEM DESCRIPTION	UNITS/ ESTIMATED QUANTITY	UNIT BID -IN NUMBERS- DOLLARS CTS	AMOUNT BID -IN NUMBERS- DOLLARS CTS
50 072222	TEMPORARY FERTILIZER (15-30-15)	LBS. 13,442.00		
51 013589	TEMPORARY SEED (CANADA WILD RYE)	LBS. 4,136.00		
52 013544	TEMPORARY SEED (GRAIN OATS)	LBS. 9,306.00		
53 061377	TEMPORARY SEED (STERILE WHEATGRASS)	LBS. 9,306.00		
54 030537	SOIL EROSION MIX	LBS. 1,102.90		
55 072400	TEMPORARY BERM (SET PRICE)	LNFT 1.00	1.000	\$1.00
56 071320	TEMPORARY INLET SEDIMENT BARRIER	EACH 21.00		
57 010598	SILT FENCE	LNFT 4,353.00		
58 070894	BIODEGRADABLE LOG (9")	LNFT 4,358.00		
59 070895	BIODEGRADABLE LOG (12")	LNFT 4,358.00		

-

Check: 00000000

CONTRACTOR

KANSAS DEPARTMENT OF TRANSPORTATION
UNIT PRICES LIST

STATE CONTRACT NO: 516012696
STATE PROJECT NO: U054 -088 KA 2385-02

PREPARED DATE: 01-15-16
REVISED DATE:

SECTION 03 TEMP PRJ WTR POL CTL

LINE/ ITEM NUMBER	ITEM DESCRIPTION	UNITS/ ESTIMATED QUANTITY	UNIT BID -IN NUMBERS- DOLLARS CTS	AMOUNT BID -IN NUMBERS- DOLLARS CTS
60 070896	BIODEGRADABLE LOG (20")	LNFT 4,353.00		
61 071290	TEMPORARY SEDIMENT BASIN	CUYD 5,152.00		
62 000098	SWPPP DESIGN	LSUM 1.00		
63 000097	SWPPP INSPECTION	EACH 40.00		
64 000103	WATER POLLUTION CONTROL MANAGER	EACH 70.00		
65 071291	SEDIMENT REMOVAL (SET PRICE)	CUYD 1.00	35.000	\$35.00
66 072286	EROSION CONTROL (CLASS 1) (TYPE D)	SQYD 42,318.00		
67 072287	EROSION CONTROL (CLASS 2) (TYPE E)	SQYD 78,331.00		
68 030635	MULCHING (TACKING SLURRY)	LBS. 82,890.00		
69 041613	MULCHING (TEMPORARY)	TON 413.60		

-

Check: 00000000

CONTRACTOR

KANSAS DEPARTMENT OF TRANSPORTATION
UNIT PRICES LIST

STATE CONTRACT NO: 516012696
STATE PROJECT NO: U054 -088 KA 2385-02

PREPARED DATE: 01-15-16
REVISED DATE:

SECTION 03 TEMP PRJ WTR POL CTL

LINE/ ITEM NUMBER	ITEM DESCRIPTION	UNITS/ ESTIMATED QUANTITY	UNIT BID -IN NUMBERS- DOLLARS CTS	AMOUNT BID -IN NUMBERS- DOLLARS CTS
70 010123	WATER (EROSION CONTROL) (SET PRICE)	MGAL 1.00	35.000	\$35.00

SUBMIT A BID ON ONLY ONE SECTION IN THE FOLLOWING ALTERNATE: AA
SECTION 04 CEMENT TREATED BASE ALT.
ALTERNATE: AA1

71 025177	CEMENT TREATED BASE	SQYD 101,143.00		
72 025487	QUALITY CONTROL TESTING (CTB)	SQYD 101,143.00		

SECTION 05 ASPHALT TREATED BASE ALT.
ALTERNATE: AA2

73 013826	ASPHALT TREATED BASE	SQYD 101,143.00		
74 081699	QUALITY CONTROL TESTING (HMA)	TON 22,000.00		
75 011750	ASPHALT CORE (SET PRICE)	EACH 1.00	45.000	\$45.00
76 000030	ASPHALT AIR VOID PAY ADJUSTMENT	LSUM 1.00	1.000	\$1.00
77 000029	ASPHALT DENSITY PAY ADJUSTMENT	LSUM 1.00	1.000	\$1.00

-

Check: 00000000

CONTRACTOR

KANSAS DEPARTMENT OF TRANSPORTATION
UNIT PRICES LIST

STATE CONTRACT NO: 516012696
STATE PROJECT NO: U054 -088 KA 2385-02

PREPARED DATE: 01-15-16
REVISED DATE:

SECTION 05 ASPHALT TREATED BASE ALT.
ALTERNATE: AA2

LINE/ ITEM NUMBER	ITEM DESCRIPTION	UNITS/ ESTIMATED QUANTITY	UNIT BID		AMOUNT BID	
			-IN NUMBERS- DOLLARS	CTS	-IN NUMBERS- DOLLARS	CTS
78 025600	FIELD OFFICE AND LABORATORY (TYPE A)	EACH 1.00				

SECTION 06 CONCRETE SURFACING ITEMS

79 013607	CONCRETE PAVEMENT (10.5" UNIFORM) (AE) (NRDJ)	SQYD 99,196.00				
80 070446	CONCRETE PAVEMENT (8" UNIFORM) (AE) (NRDJ)	SQYD 1,947.00				
81 013590	CONCRETE PAVEMENT (8" UNIFORM) (PLAIN)	SQYD 58,141.00				
82 013550	CONCRETE PAVEMENT (6" UNIFORM) (PLAIN)	SQYD 221.00				
83 071713	QUALITY CONTROL TESTING (PCCP)	SQYD 159,505.00				
84 011748	CONCRETE CORE (SET PRICE)	EACH 1.00	120.000		\$120.00	
85 000031	CONCRETE PAVEMENT COMPOSITE PAY ADJUSTMENT	LSUM 1.00	1.000		\$1.00	
86 000012	CONCRETE PAVEMENT SMOOTHNESS	LSUM 1.00	1.000		\$1.00	

-

Check: 00000000

CONTRACTOR

KANSAS DEPARTMENT OF TRANSPORTATION
UNIT PRICES LIST

STATE CONTRACT NO: 516012696
STATE PROJECT NO: U054 -088 KA 2385-02

PREPARED DATE: 01-15-16
REVISED DATE:

SECTION 06 CONCRETE SURFACING ITEMS

LINE/ ITEM NUMBER	ITEM DESCRIPTION	UNITS/ ESTIMATED QUANTITY	UNIT BID -IN NUMBERS- DOLLARS CTS	AMOUNT BID -IN NUMBERS- DOLLARS CTS
87 025150	GRANULAR BASE (4")	SQYD 221.00		
88 025155	GRANULAR BASE (6")	SQYD 58,141.00		
89 010355	WATER (GRANULAR BASE) (SET PRICE)	MGAL 1.00	35.000	\$35.00
90 082803	FLY ASH	TON 4,634.00		
91 012969	MANIPULATION FOR TREATED SUBGRADE (FLY ASH)	SQYD 116,363.00		
92 011477	WATER (TREATED SUBGRADE) (SET PRICE)	MGAL 1.00	35.000	\$35.00
93 081050	PAVEMENT EDGE WEDGE (ROCK)	TON 7,904.00		
94 011478	WATER (EARTHWORK COMPACTION) (SET PRICE)	MGAL 1.00	35.000	\$35.00

SECTION 07 ASPHALT SURFACING ITEMS

95 081459	SURFACING MATERIAL (SA-1)	TON 2,053.00		
--------------	---------------------------	-----------------	--	--

-

Check: 00000000

CONTRACTOR

KANSAS DEPARTMENT OF TRANSPORTATION
UNIT PRICES LIST

STATE CONTRACT NO: 516012696
STATE PROJECT NO: U054 -088 KA 2385-02

PREPARED DATE: 01-15-16
REVISED DATE:

SECTION 07 ASPHALT SURFACING ITEMS

LINE/ ITEM NUMBER	ITEM DESCRIPTION	UNITS/ ESTIMATED QUANTITY	UNIT BID		AMOUNT BID	
			-IN NUMBERS- DOLLARS	CTS	-IN NUMBERS- DOLLARS	CTS
96 011028	AGGREGATE FOR SUBGRADE MODIFICATION (SR- 4)	CUYD 3,188.00				
97 035705	MANIPULATION FOR AGGR SUBGRADE MOD	SQYD 17,807.00				
98 010169	AGGREGATE BASE (AB-3) (6")	SQYD 11,294.00				
99 010107	WATER (AGGREGATE BASE) (SET PRICE)	MGAL 1.00	35.000		\$35.00	
100 041003	HMA-COMMERCIAL GRADE (CLASS A)	TON 3,814.00				

SECTION 08 FENCING ITEMS

101 012506	FENCE (SINGLE WIRE CABLE)	LNFT 27,781.00				
---------------	---------------------------	-------------------	--	--	--	--

SECTION 09 SIGNING ITEMS

102 025500	SIGN (FLAT SHEET) (HIGH PERFORMANCE)	SQFT 1,017.15				
103 026176	SIGN POST (4" X 6" WOOD) (FLAT SHEET SIGN)	LNFT 1,906.00				

-

Check: 00000000

CONTRACTOR

KANSAS DEPARTMENT OF TRANSPORTATION
UNIT PRICES LIST

STATE CONTRACT NO: 516012696
STATE PROJECT NO: U054 -088 KA 2385-02

PREPARED DATE: 01-15-16
REVISED DATE:

SECTION 09 SIGNING ITEMS

LINE/ ITEM NUMBER	ITEM DESCRIPTION	UNITS/ ESTIMATED QUANTITY	UNIT BID		AMOUNT BID	
			-IN NUMBERS- DOLLARS	CTS	-IN NUMBERS- DOLLARS	CTS
104 026175	SIGN POST (2 LB/FT "U" STEEL)	LNFT 168.00				
105 025996	SIGNING DELINEATOR (TYPE A) (WHITE RIGID "U" POST)	EACH 67.00				
106 025990	SIGNING DELINEATOR (TYPE B) (WHITE RIGID "U" POST)	EACH 21.00				
107 025988	SIGNING DELINEATOR (TYPE B) (YELLOW RIGID "U" POST)	EACH 33.00				
108 026054	SIGNING DELINEATOR (TYPE A) (WHITE FLEXIBLE) (TYPE 3 ANCHOR)	EACH 5.00				
109 026060	SIGNING DELINEATOR (TYPE B) (WHITE FLEXIBLE) (TYPE 3 ANCHOR)	EACH 5.00				
110 026063	SIGNING DELINEATOR (TYPE B) (YELLOW FLEXIBLE) (TY 3 ANCHOR)	EACH 10.00				

SECTION 10 PAVEMENT MARKING ITEMS

111 023140	PAVEMENT MARKING (MULTI-COMPONENT) (WHITE) (6")	LNFT 63,136.00				
112 023143	PAVEMENT MARKING (MULTI-COMPONENT) (YELLOW) (4")	LNFT 11,321.00				

-

Check: 00000000

CONTRACTOR

STATE CONTRACT NO: 516012696
STATE PROJECT NO: U054 -088 KA 2385-02

PREPARED DATE: 01-15-16
REVISED DATE:

SECTION 10 PAVEMENT MARKING ITEMS

LINE/ ITEM NUMBER	ITEM DESCRIPTION	UNITS/ ESTIMATED QUANTITY	UNIT BID -IN NUMBERS- DOLLARS CTS	AMOUNT BID -IN NUMBERS- DOLLARS CTS
113 023192	PAVEMENT MARKING (MULTI-COMPONENT) (YELLOW) (6")	LNFT 38,032.00		
114 023144	PAVEMENT MARKING (MULTI-COMPONENT) (YELLOW) (12")	LNFT 1,509.00		
115 013812	PAVEMENT MARKING (INTERSECTION GRADE) (WHITE) (24")	LNFT 147.00		
116 013349	PAVEMENT MRK SYM (INTERSECTION GRADE) (WHITE) (RT ARROW)	EACH 11.00		
117 013348	PAVEMENT MRK SYM (INTERSECTION GRADE) (WHITE) (LEFT ARROW)	EACH 22.00		
118 013813	PAVEMENT MRK SYM (INTERSECTION GRADE) (WHITE) (RAILROAD XING)	EACH 2.00		

SECTION 11 SEEDING ITEMS

119 030344	FERTILIZER (15-30-15)	LBS. 10,340.00		
120 030384	SEED (BIG BLUESTEM GRASS) (KAW)	LBS. 299.40		
121 030374	SEED (BLUE GRAMA GRASS) (LOVINGTON)	LBS. 57.10		

-

Check: 00000000

CONTRACTOR

KANSAS DEPARTMENT OF TRANSPORTATION
UNIT PRICES LIST

STATE CONTRACT NO: 516012696
STATE PROJECT NO: U054 -088 KA 2385-02

PREPARED DATE: 01-15-16
REVISED DATE:

SECTION 11 SEEDING ITEMS

LINE/ ITEM NUMBER	ITEM DESCRIPTION	UNITS/ ESTIMATED QUANTITY	UNIT BID -IN NUMBERS- DOLLARS	CTS	AMOUNT BID -IN NUMBERS- DOLLARS	CTS
122 030401	SEED (BUFFALO GRASS) (TREATED)	LBS. 1,399.00				
123 030383	SEED (LITTLE BLUESTEM GRASS) (ALDOUS)	LBS. 299.40				
124 030388	SEED (SAND BLUESTEM GRASS) (GARDEN COUNTY)	LBS. 763.50				
125 030530	SEED (SAND DROPSEED)	LBS. 206.80				
126 030373	SEED (SIDE OATS GRAMA) (EL RENO)	LBS. 1,302.80				
127 031954	SEED (STERILE WHEATGRASS)	LBS. 2,068.00				
128 030545	SEED (SWITCHGRASS) (BLACKWELL)	LBS. 149.70				
129 030569	SEED (WESTERN WHEATGRASS) (BARTON)	LBS. 941.40				
130 083465	SEED (NATIVE WILDFLOWER MIX 3)	LBS. 985.00				
131 030636	MULCHING (PERMANENT) (SET PRICE)	TON 1.00	250.000		\$250.00	

-

Check: 00000000

CONTRACTOR

KANSAS DEPARTMENT OF TRANSPORTATION
UNIT PRICES LIST

STATE CONTRACT NO: 516012696
STATE PROJECT NO: U054 -088 KA 2385-02

PREPARED DATE: 01-15-16
REVISED DATE:

SECTION 12 TRAFFIC CONTROL ITEMS

LINE/ ITEM NUMBER	ITEM DESCRIPTION	UNITS/ ESTIMATED QUANTITY	UNIT BID -IN NUMBERS- DOLLARS CTS	AMOUNT BID -IN NUMBERS- DOLLARS CTS
132 025331	WORK ZONE SIGNS (0 TO 9.25 SQ.FT.)	EADA 26,680.00		
133 025332	WORK ZONE SIGNS (9.26 TO 16.25 SQ.FT.)	EADA 23,000.00		
134 025376	WORK ZONE BARRICADES (TYPE 3 - 4 TO 12 LIN. FT.)	EADA 85,560.00		
135 011492	CHANNELIZER (PORTABLE)	EADA 147,330.00		
136 025343	WORK ZONE WARNING LIGHT (TYPE "A" LOW INTENSITY)	EADA 19,320.00		
137 025337	WORK ZONE WARNING LIGHT (RED TYPE "B" HIGH INTENSITY)	EADA 460.00		
138 070916	PAVEMENT MARKING (TEMP) 4" SOLID (TYPE I)	STAL 1,073.00		
139 013019	PAVEMENT MARKING REMOVAL	LNFT 1,695.00		
140 072116	TRAFFIC CONTROL (INITIAL SETUP)	LSUM 1.00		

GRAND TOTAL : \$24,445.00

Check: 00000000

CONTRACTOR

SURFACING QUANTITIES FOR SIDEROADS										
ROADWAY	STATION TO STATION		LENGTH (FT.)	WIDTH (FT.)	SURFACING MATERIAL (SA-1)			SUBGRADE MODIFICATION (SR-4)		
					SURFACE AREA (SQ. FT.)	SURFACE THICKNESS (IN.)	QUANTITY (TONS) †	MANIPULATION AREA (SQ. YD.)	THICKNESS (IN.)	QUANTITY (CU. YDS.) Δ
County Rd. O	41+00.00	41+50.00	50.00	Var.	1,325.7	2	17.0	147.4	6	80 26
County Rd. O	41+50.00	46+75.00	525.00	28	14,700.0	2	188.2	1,633.4	6	876 292
County Rd. O	52+97.43	65+00.00	1,202.57	28	33,672.0	2	431.0	3,741.4	6	2,005 668
County Rd. O	65+00.00	65+50.00	50.00	Var.	1,380.2	2	17.7	153.4	6	83 27
County Rd. P	53+40.40	65+00.00	1,159.60	28	32,468.8	2	415.6	3,607.7	6	1,933 644
County Rd. P	65+00.00	65+25.00	25.00	Var.	648.5	2	8.4	72.1	6	39 13
Access Rd. 200	5+70.00	28+61.05	2,291.05	24	54,985.2	2	706.5	6,109.5	6	3,310 1,103
Access Rd. 200	28+61.05	29+79.84	118.79	Varies	4,118.7	2	52.6	457.7	6	244 81
TOTAL							1,837.0	15,922.6		8,570 2,855

† Surfacing Material (SA-1) computed at a rate of 150 lbs./cu. ft.

SURFACING QUANTITIES FOR HMA PAVEMENT										
ROADWAY	CONSTRUCTION STAGE	STATION TO STATION		HOT MIX ASPHALT - COMMERCIAL GRADE (CLASS A)			AGGREGATE BASE (AB-3) (6")			REMARKS
				SURFACE AREA (SQ. FT.)	THICKNESS (IN.)	QUANTITY (TONS) ●	SURFACE AREA (SQ. FT.)	QUANTITY (SQ. YD.)	WATER (MGAL) Δ	
County Rd. P	1B	46+71.07	48+06.94	761.9	7	33.90	1,029.9	114.4	2.9	Temporary
Crossover A	2A	369+10.20	381+85.96	29,757.2	7	1,283.25	33,769.0	3,752.1	94.9	
Crossover C	2A	538+30.81	554+02.28	36,715.7	7	1,580.95	41,223.5	4,580.4	115.8	
Crossover B	3	373+70.01	382+92.71	14,627.1	7	637.45	17,682.5	1,964.7	49.7	
Crossover D	3	541+29.40	545+26.30	6,350.4	7	278.40	7,938.1	882.0	22.3	
TOTAL						3,813.95		11,293.6	285.60	

● Hot Mix Asphalt - Commercial Grade (Class A) computed at a rate of 145 lbs./cu. ft.
 Δ Water computed at 30% per dry weight of aggregate (156 lbs./cu. ft.)
 ∅ For Information Only

SURFACING QUANTITIES FOR ENTRANCES												
ROADWAY	STATION	SIDE	L (FT.)	W (FT.)	R (FT.)	SURFACING MATERIAL (SA-1)			SUBGRADE MODIFICATION (SR-4)			REMARKS
						SURFACE AREA (SQ. YD.)	SURFACE THICKNESS (IN.)	QUANTITY (TONS) †	MANIPULATION AREA (SQ. YD.)	THICKNESS (IN.)	QUANTITY (CU. YDS.) Δ	
US-54	418+88	Rt.	60	24	20	2,011.7	2	25.3	223.6	6	14 38	T* Turnaround
US-54	426+11	Rt.	60	24	20	2,011.7	2	25.3	223.6	6	14 38	T* Turnaround
TOTAL								50.6	447.2		228 76	

† Surfacing Material (SA-1) computed at a rate of 150 lbs./cu. ft.

SURFACING QUANTITIES FOR AGGREGATE PAVEMENT												
ROADWAY	CONSTRUCTION STAGE	STATION TO STATION		LENGTH (SQ. FT.)	WIDTH (FT.)	SURFACING MATERIAL (SA-1)			SUBGRADE MODIFICATION (SR-4)			REMARKS
						SURFACE AREA (SQ. YD.)	SURFACE THICKNESS (IN.)	QUANTITY (TONS) †	MANIPULATION AREA (SQ. YD.)	THICKNESS (IN.)	QUANTITY (CU. YDS.) Δ	
Temp. County Rd. B	1A	10+22.97	10+77.38	54.41	Var.	2,638.9	2	33.7	293.3	6	156 52	Temporary
Temp. County Rd. B	1A	10+77.38	14+44.96	367.58	28	10,292.2	2	131.8	1,143.6	6	613 205	Temporary
TOTAL								165.5	1,436.9		769 257	

† Surfacing Material (SA-1) computed at a rate of 150 lbs./cu. ft..

DATE 1/13/2016
 NEW SHEET - Released by Addendum
 VOID PREVIOUS ISSUE

Δ 1/11/16 Revised Quantities.

KANSAS DEPARTMENT OF TRANSPORTATION
 SUMMARY OF QUANTITIES
 (Sur-facing)

STATE	PROJECT NO.	YEAR	SHEET NO.	TOTAL SHEETS
KANSAS	54-88 KA-2385-02	2016	81	405

GENERAL NOTE:

On surfacing projects, the 6" of Compaction Type AA, shown for the center portion on the roadbed, is for the purpose of restoring the original Compaction Type AA which may have been lost since grading operations. The exact locations of this Compaction Type AA, which will be required, is to be determined by the Engineer at the time of construction. This work shall be paid under the bid item "Compaction of Earthwork (Type AA) (MR)".

Over all structures, unless otherwise directed by the Engineer, where the top of the hubguard is level with or above the finished shoulder grade, the earth cover over the structure slab shall be removed and backfilled with _____ material as directed by the Engineer. The removal of this material will be subsidiary.

The _____ material used to backfill over the structure shall be paid for at the prices shown in the contract.

The earth shoulders shall be compacted full depth (Type _____) except, when ordered by the Engineer, the top 3" shall be left uncompacted for seeding.

All side roads and house entrances shall be surfaced with _____ to the R/W line as indicated on the detail. All side roads and house entrances with existing asphalt surface shall be surfaced with _____ at least to the R/W line or to the end of construction, as directed by the Engineer. Each mailbox turnout (ON PROJECTS WHERE STABILIZED SHOULDERS ARE NOT SPECIFIED) shall be surfaced with _____ to the limits shown on the detail.

Surfacing material (SA-1) shall be used for surfacing house entrances and side roads (150 C.Y./SQ. YD.) beyond the limits of the asphalt surface to the limits of construction as determined by the Engineer.

The thickness of side road and entrance surfacing may be increased to the same thickness as the stabilized shoulder within the approximate limits of the shoulder.

On projects which specify both asphalt base and surface course materials, side roads, house entrances and mailbox turnouts may be surfaced with both materials at the contractors option, with the approval of the Engineer.

Quantities for aggregate for shoulders, AS-1, are calculated on the basis of 150 lbs. per cu. ft. Quantities for stabilized base course, AB-3, are calculated on the basis of 156 lbs. per cu. ft. Weight/cu. ft. includes moisture allowed by specification.

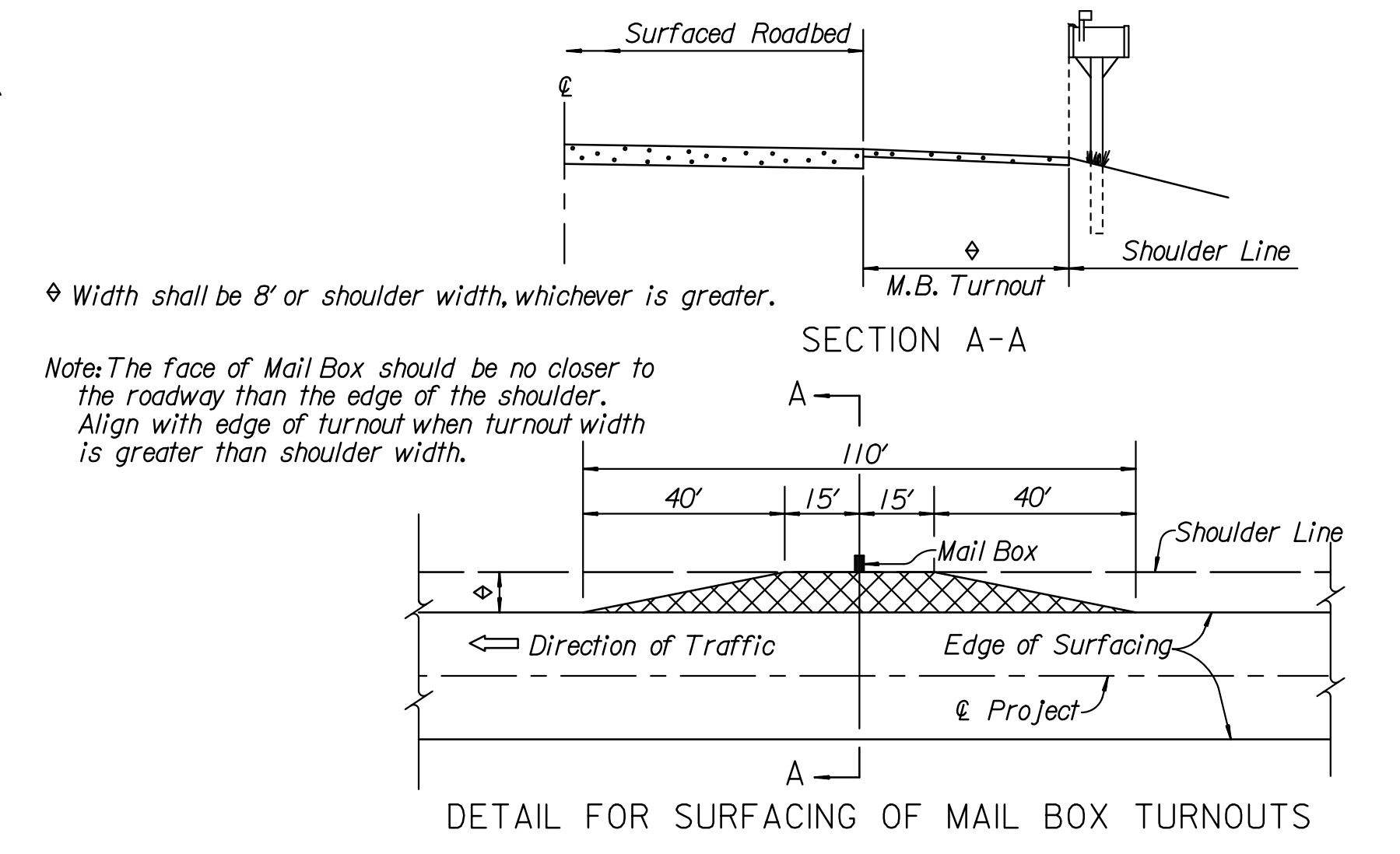
The base course shall be constructed to the plan thickness as shown.

Thicknesses indicated for all construction which is paid for on a weight or volume basis are approximate and may vary to correct for unevenness in the foundations or for other normal unevenness encountered in placement operations.

A tack coat of SS-IHP shall be provided between each lift of all base courses and surface courses and under the first lift of base or surface courses when they are placed on an existing asphalt, brick, or concrete surface, when so ordered by the Engineer and at the rate designated by him. Quantities are included for these tacks calculated at the rate of 0.06 gal./sq.yd.

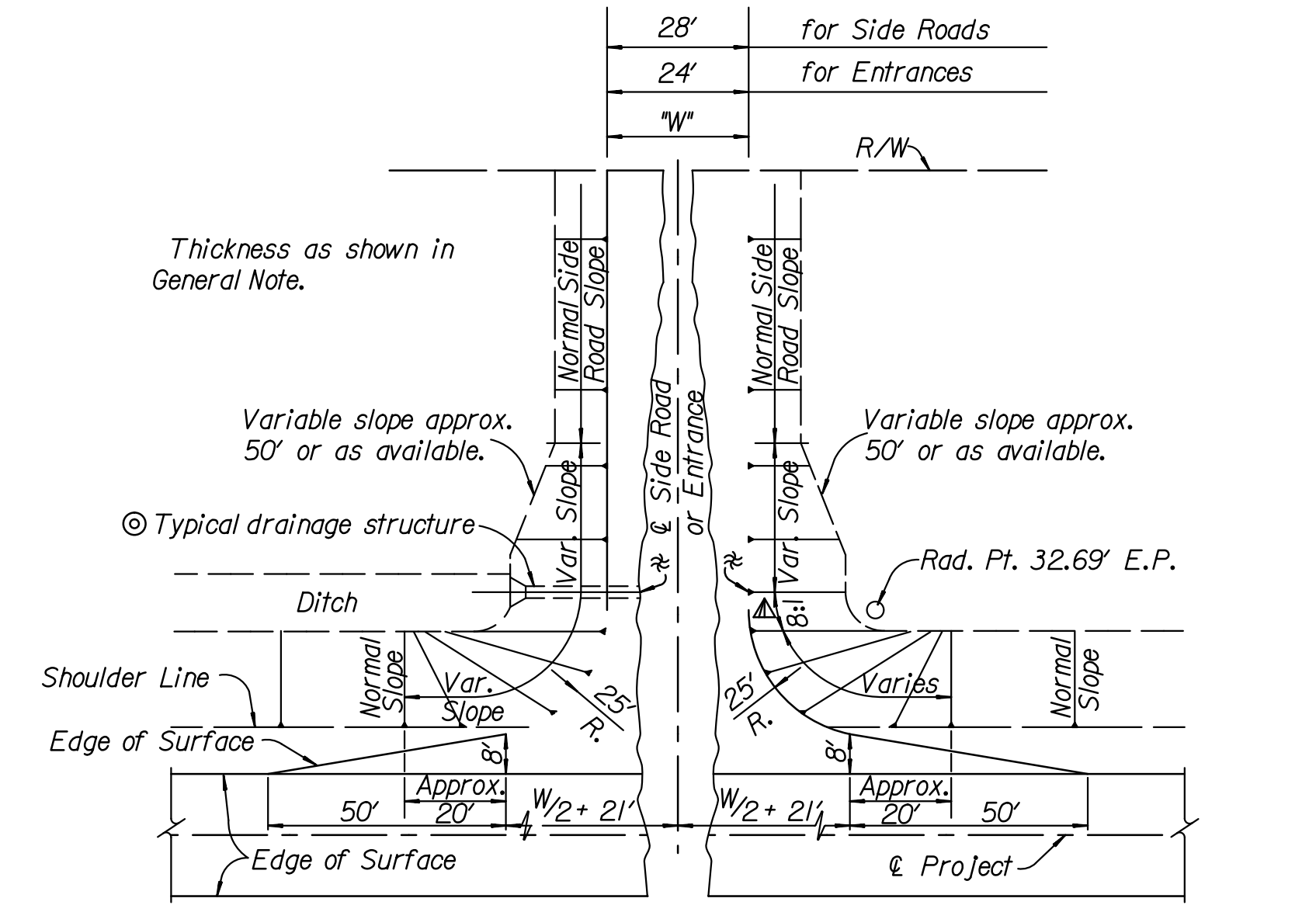
Asphalt Material quantities are calculated on the basis of 8.328 lbs. per gal. Shoulder rumble strips will not be constructed as part of this project.

SUMMARY OF QUANTITIES						
ITEM	SIDEROADS	ENTRANCES	CROSSOVERS	TEMPORARY	TOTAL	UNIT
Surfacing Material (SA-1)	1,837.0	50.6		165.5	2,053.1	Tons
Aggregate for Subgrade Modification (SR-4)	8,576.2855	228.76		769.257	9,567.3188	Cu. Yds.
Manipulation for Aggregate Subgrade Modification (SR-4)	15,922.6	447.2		1,436.9	17,806.7	Sq. Yds.
Aggregate Base (AB-3)				11,293.6	11,293.6	Sq. Yds.
HMA Commercial Grade (Class A)			3,780.05	33.90	3,813.95	Tons



Width shall be 8' or shoulder width, whichever is greater.

Note: The face of Mail Box should be no closer to the roadway than the edge of the shoulder. Align with edge of turnout when turnout width is greater than shoulder width.



WITH DRAINAGE STRUCTURE MOUND ENTRANCE OR SIDE ROAD

DETAIL FOR SURFACING OF SIDE ROADS & HOUSE ENTRANCES

8:1 Slope at the appropriate clear zone shall apply to all mound entrances and mound side roads to 10' fill height. Normal Slope (but not steeper than 6:1) for over 10' fill height.

Normal Slope (but not steeper than 6:1) at approximate structure or appropriate clear zone width.

On side roads and entrances which slope toward the highway, a low point approx. 6" deep shall be constructed to divert surface drainage into the highway ditch, unless otherwise shown on the plans.

1/11/16 Revised Quantities.

NO.	DATE	REVISIONS	BY	APP'D
12	1-10-07	Changed bituminous to asphalt	S.W.K.	J.O.B.
11	8-30-06	Changed tack type/rate	S.W.K.	J.O.B.
10	3-24-05	Revised compaction, tack type/rate	S.W.K.	J.O.B.
9	6-12-02	Added low point off shoulder.	S.W.K.	J.O.B.

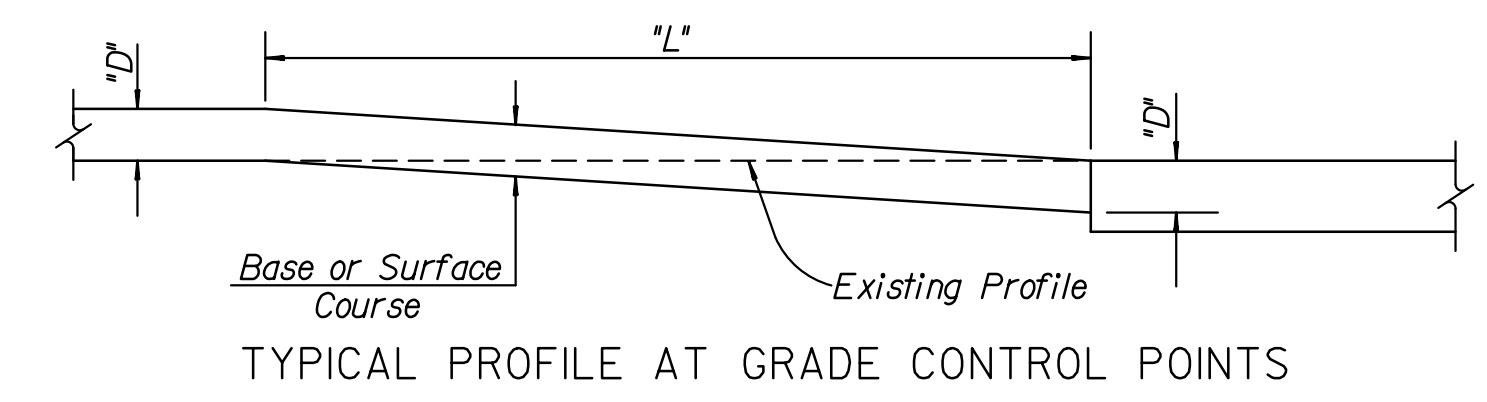
KANSAS DEPARTMENT OF TRANSPORTATION

SUMMARY OF QUANTITIES (Surfacing)

DESIGNED: _____ TRACED: _____
 DESIGN CK.: _____ QUANT. CK.: _____

9-06-06 APP'D: James O. Brewer

FOOT Graphics Certified 01-11-2016



TYPICAL PROFILE AT GRADE CONTROL POINTS

The Contractor shall cut the subgrade in accordance with this profile at all grade control points, i.e.; existing pavements, grade bridges and R.R. crossings, also at changes in thickness of base or surface courses. Corresponding dimensions of "D" and "L" shall be as given in the table below.

The work of cutting the subgrade and disposing of excess excavated material shall be subsidiary to other items in the contract.

TABLE OF DIMENSIONS											
D	L	D	L	D	L	D	L	D	L	D	L
1"	25'	3"	75'	5"	125'	7"	175'	9"	225'	11"	275'
2"	50'	4"	100'	6"	150'	8"	200'	10"	250'	12"	300'

RATES OF APPLICATION				
RATE	UNIT	ITEM		
150	lbs./cu. ft.	Surfacing Material (SA-1)		
156	lbs./cu. ft.	Aggregate Base (AB-3)		
145	lbs./cu. ft.	Hot Mix Asphalt - Commercial Grade (Class A)		

† Computed at the rate of
 †† Computed at the rate of

RECAPITULATION OF QUANTITIES				
ITEM	QUANTITY	UNIT		
Surfacing Material (SA-1)	2,053	Tons		
Aggregate for Subgrade Modification (SR-4)	3,188	Cu. Yds.		
Manipulation for Aggregate Subgrade Modification (SR-4)	17,807	Sq. Yds.		
Aggregate Base (AB-3)	11,294	Sq. Yds.		
Water (Aggregate Base) (Set Price)	1	M. Gal.		
HMA Commercial Grade (Class A)	3,814	Tons		

DATE 1/13/2016
 NEW SHEET - Released by Addendum
 VOID PREVIOUS ISSUE